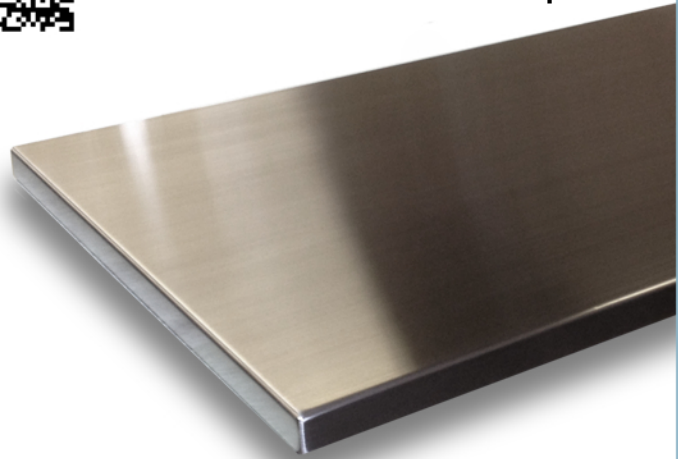




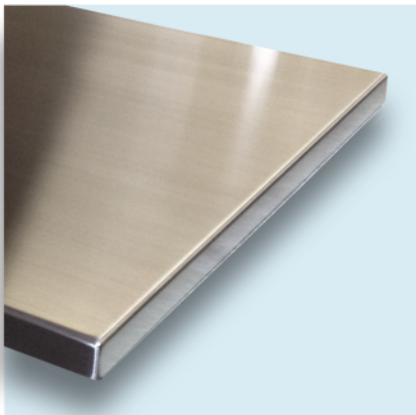
Stainless Steel Stock Countertops

Features:

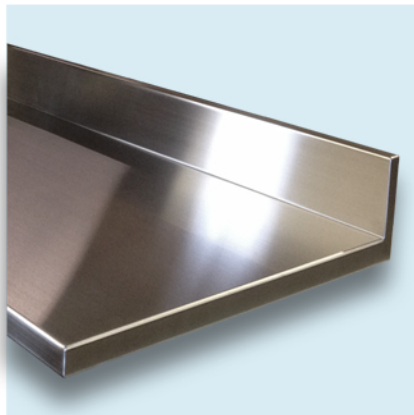
- 16 gauge, 18/8 type 304 stainless steel
- Choice of wood or stainless channel backer
- Mounting brackets included
- Equalizer Edge™ (on flat & backsplash model)
- Standard 25" depth
- Brushed satin finish
- 1/8" radius square edges



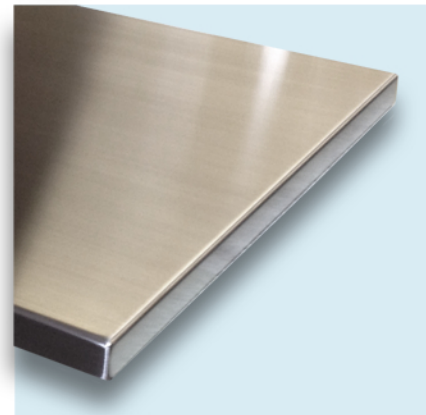
3 Available Styles:



Flat
 - Standard square edge on (3) sides
 - Equalizer edge on back side

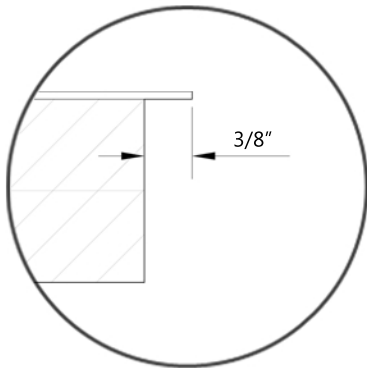


5" Backsplash
 - Standard square edge on (3) sides
 - Seamlessly integrated 5" backsplash
 - Backsplash has no backer for Equalizer™ functionality

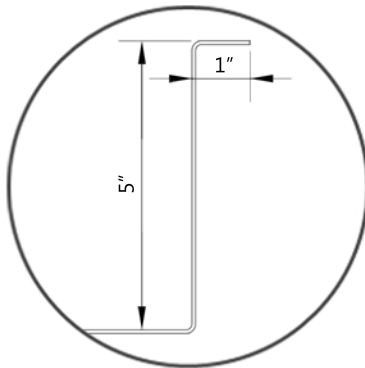


Island
 - Standard square edge on all (4) sides

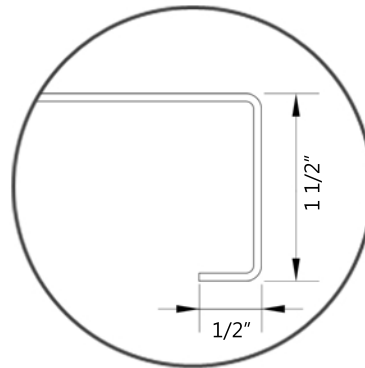
Edge Details:



Equalizer Edge™
 - Backer is positioned 3/8" from rear edge of material, leaving 3/8" of stainless sheet for easy wall penetration to help compensate for uneven wall surfaces

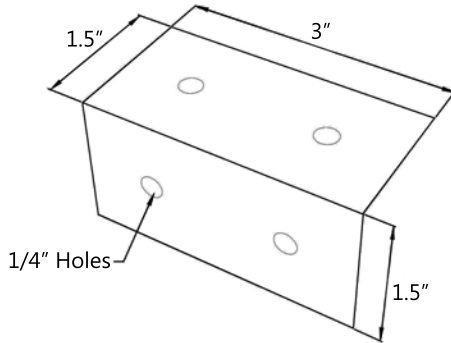


5" Backsplash



Standard Square Edge

Mounting Brackets



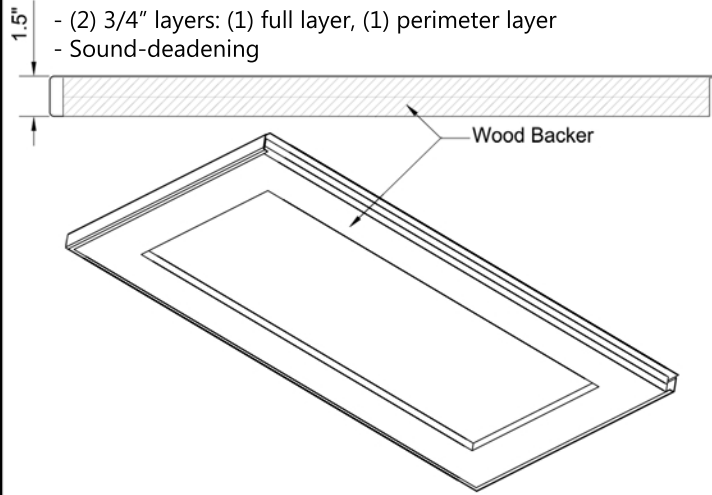
Countertop Sizes

Counter Size	Flat: Item #	Backsplash: Item #
9" x 25"	CTS3-009-25	CTSB-009-25
12" x 25"	CTS3-012-25	CTSB-012-25
15" x 25"	CTS3-015-25	CTSB-015-25
18" x 25"	CTS3-018-25	CTSB-018-25
21" x 25"	CTS3-021-25	CTSB-021-25
24" x 25"	CTS3-024-25	CTSB-024-25
27" x 25"	CTS3-027-25	CTSB-027-25
30" x 25"	CTS3-030-25	CTSB-030-25
33" x 25"	CTS3-033-25	CTSB-033-25
36" x 25"	CTS3-036-25	CTSB-036-25
39" x 25"	CTS3-039-25	CTSB-039-25
42" x 25"	CTS3-042-25	CTSB-042-25
48" x 25"	CTS3-048-25	CTSB-048-25
51" x 25"	CTS3-051-25	CTSB-051-25
54" x 25"	CTS3-054-25	CTSB-054-25
57" x 25"	CTS3-057-25	CTSB-057-25
60" x 25"	CTS3-060-25	CTSB-060-25
63" x 25"	CTS3-063-25	CTSB-063-25
66" x 25"	CTS3-066-25	CTSB-066-25
69" x 25"	CTS3-069-25	CTSB-069-25
72" x 25"	CTS3-072-25	CTSB-072-25
75" x 25"	CTS3-075-25	CTSB-075-25
78" x 25"	CTS3-078-25	CTSB-078-25
81" x 25"	CTS3-081-25	CTSB-081-25
84" x 25"	CTS3-084-25	CTSB-084-25
87" x 25"	CTS3-087-25	CTSB-087-25
90" x 25"	CTS3-090-25	CTSB-090-25
93" x 25"	CTS3-093-25	CTSB-093-25
96" x 25"	CTS3-096-25	CTSB-096-25
99" x 25"	CTS3-099-25	CTSB-099-25
102" x 25"	CTS3-102-25	CTSB-102-25
105" x 25"	CTS3-105-25	CTSB-105-25
108" x 25"	CTS3-108-25	CTSB-108-25
111" x 25"	CTS3-111-25	CTSB-111-25
114" x 25"	CTS3-114-25	CTSB-114-25
117" x 25"	CTS3-117-25	CTSB-117-25
120" x 25"	CTS3-120-25	CTSB-120-25
123" x 25"	CTS3-123-25	CTSB-123-25
126" x 25"	CTS3-126-25	CTSB-126-25
129" x 25"	CTS3-129-25	CTSB-129-25
132" x 25"	CTS3-132-25	CTSB-132-25
135" x 25"	CTS3-135-25	CTSB-135-25
138" x 25"	CTS3-138-25	CTSB-138-25

Backer Options: Wood or Stainless

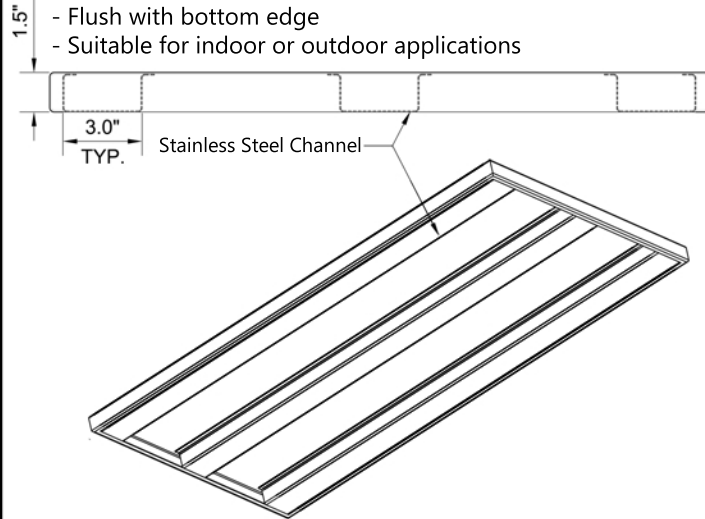
Wood Backer (shown: Flat Countertop with Equalizer Edge™)

- Moisture-resistant MDF
- (2) 3/4" layers: (1) full layer, (1) perimeter layer
- Sound-deadening



304 Stainless Steel Channel Backer (shown: Island)

- Flush with bottom edge
- Suitable for indoor or outdoor applications

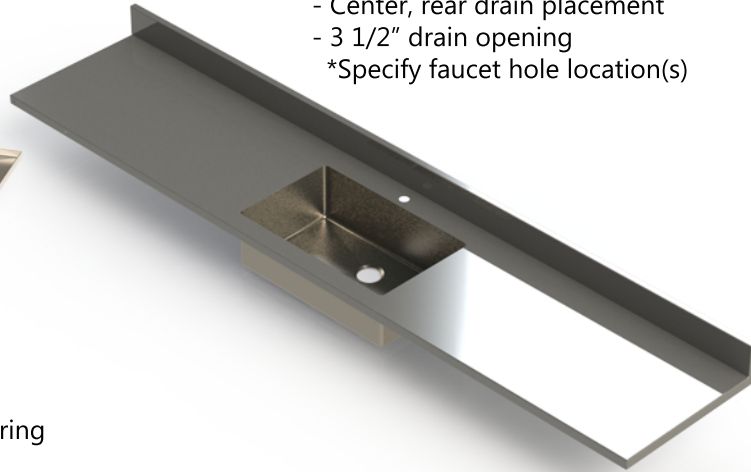
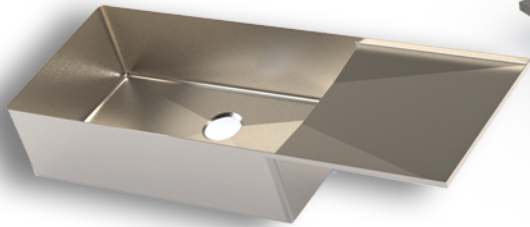


Island Size	Island: Item #
26" x 26"	CTSI-026-26
29" x 26"	CTSI-029-26
32" x 26"	CTSI-032-26
35" x 26"	CTSI-035-26
38" x 26"	CTSI-038-26
41" x 26"	CTSI-041-26
44" x 26"	CTSI-044-26
47" x 26"	CTSI-047-26
50" x 26"	CTSI-050-26
53" x 26"	CTSI-053-26
56" x 26"	CTSI-056-26
59" x 26"	CTSI-059-26
62" x 26"	CTSI-062-26
65" x 26"	CTSI-065-26
68" x 26"	CTSI-068-26
71" x 26"	CTSI-071-26
74" x 26"	CTSI-074-26
77" x 26"	CTSI-077-26
80" x 26"	CTSI-080-26
83" x 26"	CTSI-083-26
86" x 26"	CTSI-086-26

Island Size	Island: Item #
89" x 26"	CTSI-089-26
92" x 26"	CTSI-092-26
95" x 26"	CTSI-095-26
98" x 26"	CTSI-098-26
50" x 50"	CTSI-050-50
53" x 50"	CTSI-053-50
56" x 50"	CTSI-056-50
59" x 50"	CTSI-059-50
62" x 50"	CTSI-062-50
65" x 50"	CTSI-065-50
68" x 50"	CTSI-068-50
71" x 50"	CTSI-071-50
74" x 50"	CTSI-074-50
77" x 50"	CTSI-077-50
80" x 50"	CTSI-080-50
83" x 50"	CTSI-083-50
86" x 50"	CTSI-086-50
89" x 50"	CTSI-089-50
92" x 50"	CTSI-092-50
95" x 50"	CTSI-095-50
98" x 50"	CTSI-098-50

Integrated Stainless Steel Sinks

- Available in 15 stock sizes
- Seamlessly welded into the countertop
- Brushed Satin Finish
- 5/8" radius corners
- Functional drain grooves
- Center, rear drain placement
- 3 1/2" drain opening
- *Specify faucet hole location(s)



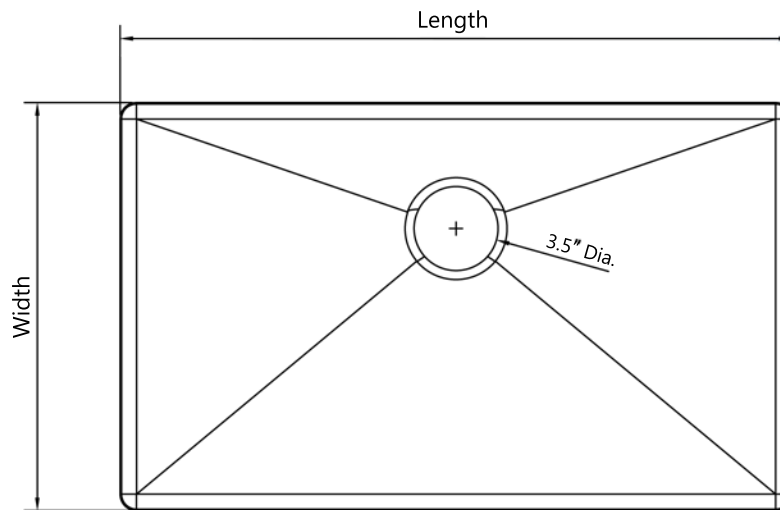
Optional Stainless Steel Drain Board

- Slopes to center towards sink bowl
- Drain board fits within countertop, requiring no additional base cabinet.
- Available in 12", 18" and 24"

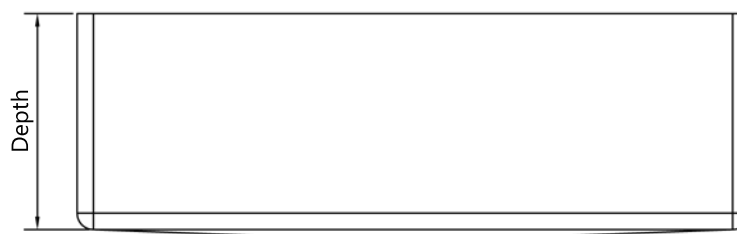
Available Sink Sizes:

Length	Width	Depth
10" x 10" x 6"		
13" x 13" x 6"		
10" x 17" x 9"		
10" x 17" x 12"		
13" x 17" x 9"		
13" x 17" x 12"		
16" x 17" x 9"		
16" x 17" x 12"		
19" x 17" x 9"		
19" x 17" x 12"		
22" x 17" x 9"		
22" x 17" x 12"		
25" x 17" x 9"		
25" x 17" x 12"		
28" x 17" x 9"		
28" x 17" x 12"		
31" x 17" x 9"		
31" x 17" x 12"		
34" x 17" x 9"		
34" x 17" x 12"		
37" x 17" x 9"		
37" x 17" x 12"		
40" x 17" x 9"		
40" x 17" x 12"		
43" x 17" x 9"		
43" x 17" x 12"		
46" x 17" x 9"		
46" x 17" x 12"		

Typical Sink Specifications:



Top View



Front View